

W-LINE WALL MOUNTING CABINET



Overview

The W-Line wall mounting rack cabinets are suitable in the offices for limited U height is required.

W-Line 19'' cabinets are protected by IP20. W-Line have two 19'' adjustable mounting angles in depth. Additional mounting rails can be ordered as accessory. Front door with glass door and perforated metal door option is available. Having removable and lockable 2 side panels and metal rear panelç Load carrying capacity is 50 kg in case used as a wall mounting cabinet and load carrying capacity can go up to 200 kg in case used as a free standing cabinet. Colour options are RAL 9005 Black, and RAL 7035 Light Grey, with fine wrinkle soft touch paint.

Vented top cover provides passive air circulation via convection. There is a double vented fan hole suitable for optimum cooling of fan. Two 19'' adjustable angled mounting rails could be moved forward and backward. Door is having a glass door. It is lockable and removable. Side Panels are removable and lockable. Enabling you to easy access to equipment and gives better look and improved security Back Panel; could be removable and be mountable on the wall easily. There are two brushed cable entry at

W-Line cabinet 1 on Bottom 1 on Top.

Construction

Door: Front door with glass door and perforated metal door option is available.

Material: A1 quality steel HDG, body thickness is 1.5 mm, mounting rails are 1.5 mm thick.

Cable Entry: On Top and bottom cable brushed entry.

Mounting Rail: 2pcs) of 19" adjustable mounting rails. Compatible with standard international 19 inch standard.

Side Panels: Opening, lockable.

Painting: Impact-resistant, Electrostatic powder painting. Color options are RAL 9005 Black & RAL 7035 White.

Rear Panel: Having a removable mounting panel and is mountable on the wall easily.

IP 20 rating: IP20 according to EN61587-1, IEC60529. Protected against solid objects larger than 12,5 mm in diameter.

Heighs: 4U, 7U, 9U, 12U, 15U, 19U, 20U

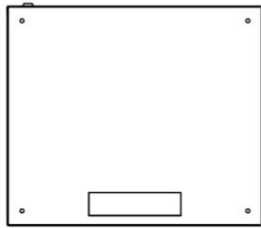
Width & Depth: 6000x450mm

600x600mm

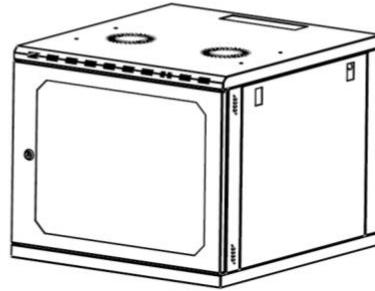
Drawing

19 " WALL MOUNTING CABINET

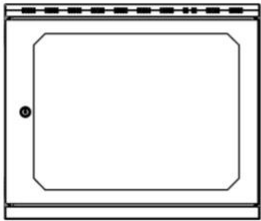
WIDTH: 600 mm
DEPHT: 450 mm



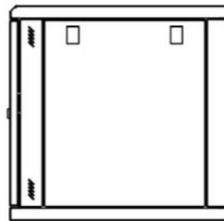
BOTTOM VIEW



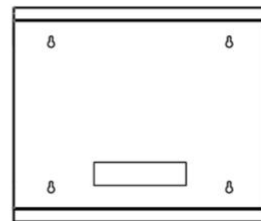
ISOMETRIC VIEW



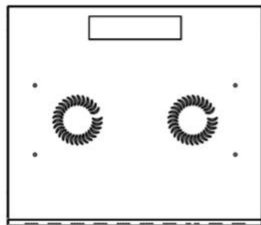
FRONT VIEW



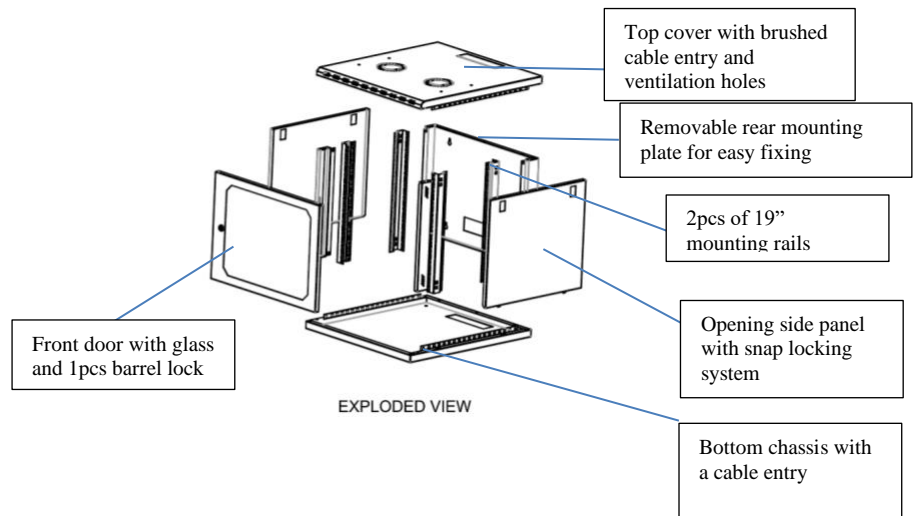
SIDE VIEW



REAR VIEW



TOP VIEW

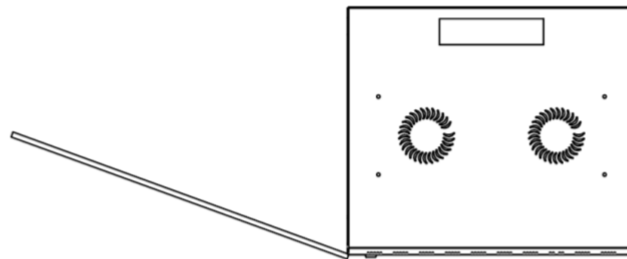


19 " WALL MOUNTING CABINET

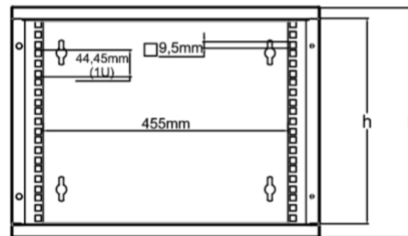
WIDHT: 600 mm
 DEPHT: 450 mm

D=450mm

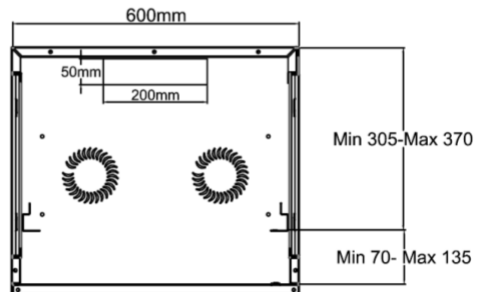
FRONT DOOR
 OPENING ANGLE



DIMENSIONS IN
 WIDTH AND HEIGHT

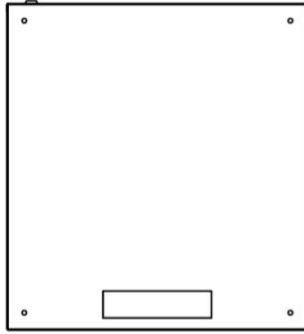


MAX/ STD / MIN
 EQUIPMENT
 MOUNTING DISTANCE

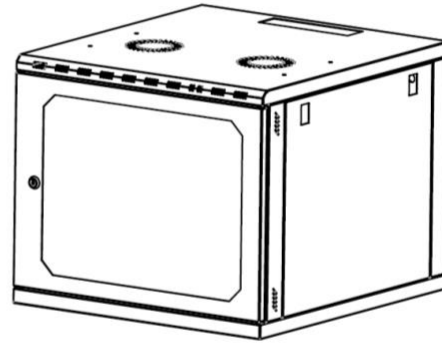


19" WALL MOUNTING CABINET

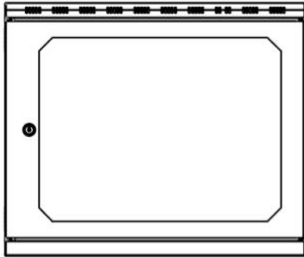
WIDTH: 600 mm
 DEPTH: 600 mm



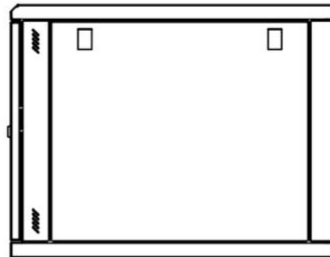
BOTTOM VIEW



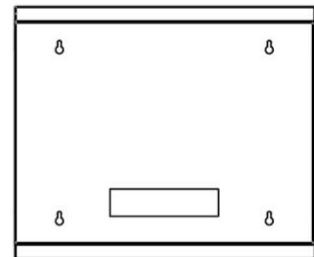
ISOMETRIC VIEW



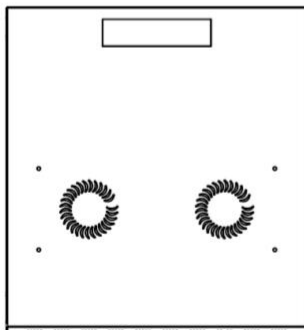
FRONT VIEW



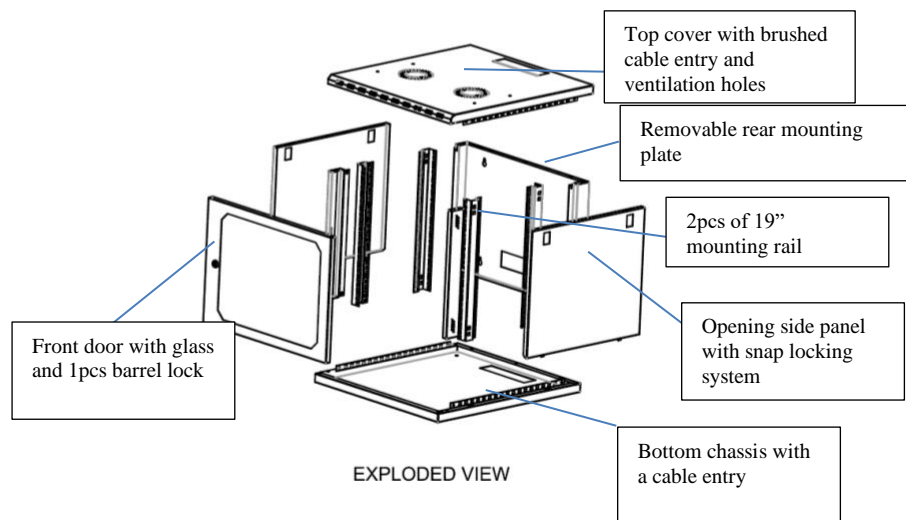
SIDE VIEW



REAR VIEW



TOP VIEW



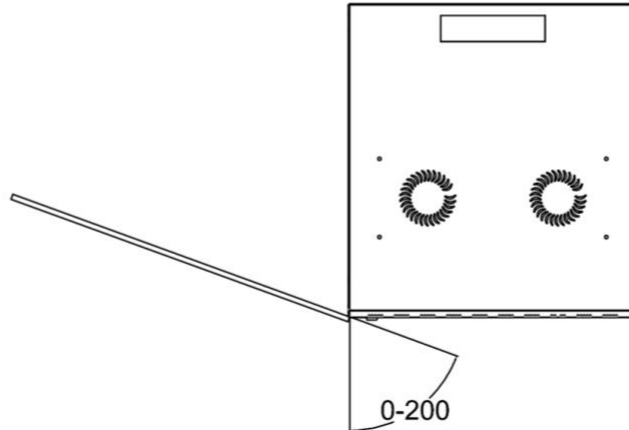
EXPLODED VIEW

19" WALL MOUNTING CABINET

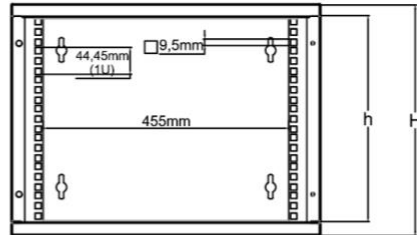
WIDHT: 600 mm
 DEPHT: 600 mm

D=600mm

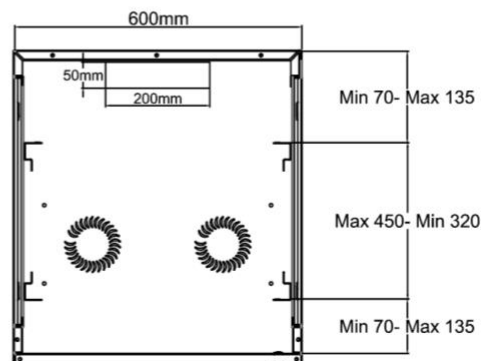
FRONT DOOR
 OPENING ANGLE



DIMENSIONS IN
 WIDTH AND HEIGHT



MAX/ STD / MIN
 EQUIPMENT
 MOUNTING DISTANCE



Compliance

- ISO 9001:2000 TSE:EN 61587-1 Mechanical Structures For Electronic Equipment - Tests For IEC 60917 And IEC 60297
- Climatic and Environment: EN 61587-1/4.2, IEC60068-2-1, IEC60068-2-2, IEC60068-2-30,
- Static Mechanical Load Lifting: EN61587-1/5.2.1
- Static Mechanical Load Stiffness: EN61587-1/5.2.2
- Dynamic Mechanical Load Vibration and Shock, Impact: EN61587-1/5.3.1, EN61587-1/5.3.3, IEC60068-2-6, IEC60068-2-27,
- Earth Bond: EN61587-1/6.2
- Flammability: EN61587-1/6.3
- Degrees Of Protection Provided By Enclosures (Ip Code): IP20 or IP55, EN61587-1/6.4
- Surface Treatment: Fosfat coating
- Corrosion Resistance: ISO9227 and ASTM B 117-85
- Painting: Ral7035 / Ral9005



ISO 14001 Environmental
Management System
%100 Recyclable Material



CE conform to EN 60950-1:2006
Information Technology
Equipment – Safety – Part-1-



RoHS Compliancy